

Swivel clamp connector joints

Aluminium

SPECIFICATION

Identification No.

No. **2**: with 3 Stainless Steel-Clamping screws DIN 912

Types

- Type **S**: stepless adjustment
- Type **T**: adjustment by 15°-division (serration)

Aluminium

plastic coated

black RAL 9005, textured finish **SW**

blank **BL**

matt shot-blasted

Clamping bores mechanically machined

Socket cap screws DIN 912

Stainless Steel AISI 304

Hexagon nuts DIN 985

Stainless Steel AISI 304



INFORMATION

GN 286 swivel clamp connector joints are an assembly of two GN 276 (see page 1852) swivel clamp connectors.

For the type with stepless adjustment (Type S) swivel clamp connectors with a centring step are used. Within the identical swivel width „b“, all bores „d₁/ d₂“ can be combined as required. The clamping bore is mechanically machined and designed for construction tubes GN 990 (see page 1902) or DIN 2391, DIN 2395 and DIN 2462 respectively.

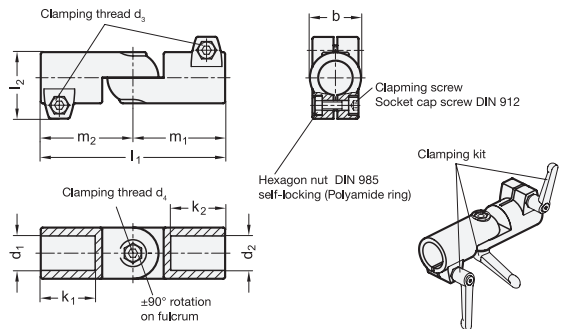
The standard version of the clamping screws are socket cap screws with hexagonal socket DIN 912. They can be replaced by adjustable clamping levers GN 911 (see page 1874) (see table of dimensions).

ACCESSORY

- Clamping kits GN 911 (see page 1874)

TECHNICAL INFORMATION

- Stainless Steel characteristics (see page A26)



* Complete with colour index of the Swivel clamp connector joints (SW or BL)

SW	BL
RAL9005	blank

GN 286

Description	d1	d2	b	d3	d4	k1	k2	l1	l2	m1	m2	Clamping kits for d3	Clamping kits for d4	⚖
GN 286-B20-B20-S-2-*	B 20	B 20	40	M 8	M 8	42.5	42.5	144	52	72	72	GN 911-M8-32	GN 911-M8-35	430
GN 286-B20-B25-S-2-*	B 20	B 25	40	M 8	M 8	42.5	42.5	144	52	72	72	GN 911-M8-32	GN 911-M8-35	430
GN 286-B20-B30-S-2-*	B 20	B 30	40	M 8	M 8	42.5	42.5	144	52	72	72	GN 911-M8-32	GN 911-M8-35	430
GN 286-B25-B20-S-2-*	B 25	B 20	40	M 8	M 8	42.5	42.5	144	52	72	72	GN 911-M8-32	GN 911-M8-35	435
GN 286-B25-B25-S-2-*	B 25	B 25	40	M 8	M 8	42.5	42.5	144	52	72	72	GN 911-M8-32	GN 911-M8-35	390
GN 286-B25-B30-S-2-*	B 25	B 30	40	M 8	M 8	42.5	42.5	144	52	72	72	GN 911-M8-32	GN 911-M8-35	330
GN 286-B30-B20-S-2-*	B 30	B 20	40	M 8	M 8	42.5	42.5	144	52	72	72	GN 911-M8-32	GN 911-M8-35	430
GN 286-B30-B25-S-2-*	B 30	B 25	40	M 8	M 8	42.5	42.5	144	52	72	72	GN 911-M8-32	GN 911-M8-35	430
GN 286-B30-B30-S-2-*	B 30	B 30	40	M 8	M 8	42.5	42.5	144	52	72	72	GN 911-M8-32	GN 911-M8-35	340
GN 286-B40-B40-S-2-*	B 40	B 40	65	M 10	M 10	74	74	230	77.5	115	115	GN 911-M10-55	GN 911-M10-63	1575
GN 286-B40-B42-S-2-*	B 40	B 42	65	M 10	M 10	74	74	230	77.5	115	115	GN 911-M10-55	GN 911-M10-63	1558
GN 286-B40-B45-S-2-*	B 40	B 45	65	M 10	M 10	74	74	230	77.5	115	115	GN 911-M10-55	GN 911-M10-63	1355
GN 286-B40-B48-S-2-*	B 40	B 48	65	M 10	M 10	74	74	230	77.5	115	115	GN 911-M10-55	GN 911-M10-63	1355
GN 286-B40-B50-S-2-*	B 40	B 50	65	M 10	M 10	74	74	230	77.5	115	115	GN 911-M10-55	GN 911-M10-63	1355
GN 286-B50-B50-T-2-*	B 50	B 50	65	M 10	M 10	74	74	230	77.5	115	115	GN 911-M10-55	GN 911-M10-63	1590

* Complete with colour index of the Swivel clamp connector joints (SW or BL)

SW
RAL9005

BL
blank

GN 286

Description	d1	d2	b	d3	d4	k1	k2	l1	l2	m1	m2	Clamping kits for d3	Clamping kits for d4	⚖️
GN 286-B42-B40-S-2-*	B 42	B 40	65	M 10	M 10	74	74	230	77.5	115	115	GN 911-M10-55	GN 911-M10-63	1560
GN 286-B42-B42-S-2-*	B 42	B 42	65	M 10	M 10	74	74	230	77.5	115	115	GN 911-M10-55	GN 911-M10-63	1540
GN 286-B42-B45-S-2-*	B 42	B 45	65	M 10	M 10	74	74	230	77.5	115	115	GN 911-M10-55	GN 911-M10-63	1500
GN 286-B42-B48-S-2-*	B 42	B 48	65	M 10	M 10	74	74	230	77.5	115	115	GN 911-M10-55	GN 911-M10-63	1460
GN 286-B42-B50-S-2-*	B 42	B 50	65	M 10	M 10	74	74	230	77.5	115	115	GN 911-M10-55	GN 911-M10-63	1435
GN 286-B45-B40-S-2-*	B 45	B 40	65	M 10	M 10	74	74	230	77.5	115	115	GN 911-M10-55	GN 911-M10-63	1520
GN 286-B45-B42-S-2-*	B 45	B 42	65	M 10	M 10	74	74	230	77.5	115	115	GN 911-M10-55	GN 911-M10-63	1500
GN 286-B45-B45-S-2-*	B 45	B 45	65	M 10	M 10	74	74	230	77.5	115	115	GN 911-M10-55	GN 911-M10-63	1500
GN 286-B45-B48-S-2-*	B 45	B 48	65	M 10	M 10	74	74	230	77.5	115	115	GN 911-M10-55	GN 911-M10-63	1420
GN 286-B45-B50-S-2-*	B 45	B 50	65	M 10	M 10	74	74	230	77.5	115	115	GN 911-M10-55	GN 911-M10-63	1395
GN 286-B48-B40-S-2-*	B 48	B 40	65	M 10	M 10	74	74	230	77.5	115	115	GN 911-M10-55	GN 911-M10-63	1510
GN 286-B48-B42-S-2-*	B 48	B 42	65	M 10	M 10	74	74	230	77.5	115	115	GN 911-M10-55	GN 911-M10-63	1500
GN 286-B48-B45-S-2-*	B 48	B 45	65	M 10	M 10	74	74	230	77.5	115	115	GN 911-M10-55	GN 911-M10-63	1500
GN 286-B48-B48-S-2-*	B 48	B 48	65	M 10	M 10	74	74	230	77.5	115	115	GN 911-M10-55	GN 911-M10-63	1440
GN 286-B48-B50-S-2-*	B 48	B 50	65	M 10	M 10	74	74	230	77.5	115	115	GN 911-M10-55	GN 911-M10-63	1370
GN 286-B50-B40-S-2-*	B 50	B 40	65	M 10	M 10	74	74	230	77.5	115	115	GN 911-M10-55	GN 911-M10-63	1466
GN 286-B50-B42-S-2-*	B 50	B 42	65	M 10	M 10	74	74	230	77.5	115	115	GN 911-M10-55	GN 911-M10-63	1456
GN 286-B50-B45-S-2-*	B 50	B 45	65	M 10	M 10	74	74	230	77.5	115	115	GN 911-M10-55	GN 911-M10-63	1406
GN 286-B50-B48-S-2-*	B 50	B 48	65	M 10	M 10	74	74	230	77.5	115	115	GN 911-M10-55	GN 911-M10-63	1366
GN 286-B50-B50-S-2-*	B 50	B 50	65	M 10	M 10	74	74	230	77.5	115	115	GN 911-M10-55	GN 911-M10-63	1575
GN 286-B20-B20-T-2-*	B 20	B 20	40	M 8	M 8	42.5	42.5	144	52	72	72	GN 911-M8-32	GN 911-M8-35	435
GN 286-B20-B25-T-2-*	B 20	B 25	40	M 8	M 8	42.5	42.5	144	52	72	72	GN 911-M8-32	GN 911-M8-35	435
GN 286-B20-B30-T-2-*	B 20	B 30	40	M 8	M 8	42.5	42.5	144	52	72	72	GN 911-M8-32	GN 911-M8-35	435
GN 286-B25-B20-T-2-*	B 25	B 20	40	M 8	M 8	42.5	42.5	144	52	72	72	GN 911-M8-32	GN 911-M8-35	430
GN 286-B25-B25-T-2-*	B 25	B 25	40	M 8	M 8	42.5	42.5	144	52	72	72	GN 911-M8-32	GN 911-M8-35	430
GN 286-B25-B30-T-2-*	B 25	B 30	40	M 8	M 8	42.5	42.5	144	52	72	72	GN 911-M8-32	GN 911-M8-35	430
GN 286-B30-B20-T-2-*	B 30	B 20	40	M 8	M 8	42.5	42.5	144	52	72	72	GN 911-M8-32	GN 911-M8-35	430
GN 286-B30-B25-T-2-*	B 30	B 25	40	M 8	M 8	42.5	42.5	144	52	72	72	GN 911-M8-32	GN 911-M8-35	430
GN 286-B30-B30-T-2-*	B 30	B 30	40	M 8	M 8	42.5	42.5	144	52	72	72	GN 911-M8-32	GN 911-M8-35	320
GN 286-B40-B40-T-2-*	B 40	B 40	65	M 10	M 10	74	74	230	77.5	115	115	GN 911-M10-55	GN 911-M10-63	1590
GN 286-B40-B42-T-2-*	B 40	B 42	65	M 10	M 10	74	74	230	77.5	115	115	GN 911-M10-55	GN 911-M10-63	1558
GN 286-B40-B45-T-2-*	B 40	B 45	65	M 10	M 10	74	74	230	77.5	115	115	GN 911-M10-55	GN 911-M10-63	1558
GN 286-B40-B48-T-2-*	B 40	B 48	65	M 10	M 10	74	74	230	77.5	115	115	GN 911-M10-55	GN 911-M10-63	1558
GN 286-B40-B50-T-2-*	B 40	B 50	65	M 10	M 10	74	74	230	77.5	115	115	GN 911-M10-55	GN 911-M10-63	1558
GN 286-B42-B40-T-2-*	B 42	B 40	65	M 10	M 10	74	74	230	77.5	115	115	GN 911-M10-55	GN 911-M10-63	1570
GN 286-B42-B42-T-2-*	B 42	B 42	65	M 10	M 10	74	74	230	77.5	115	115	GN 911-M10-55	GN 911-M10-63	1550
GN 286-B42-B45-T-2-*	B 42	B 45	65	M 10	M 10	74	74	230	77.5	115	115	GN 911-M10-55	GN 911-M10-63	1520
GN 286-B42-B48-T-2-*	B 42	B 48	65	M 10	M 10	74	74	230	77.5	115	115	GN 911-M10-55	GN 911-M10-63	1475
GN 286-B42-B50-T-2-*	B 42	B 50	65	M 10	M 10	74	74	230	77.5	115	115	GN 911-M10-55	GN 911-M10-63	1460
GN 286-B45-B40-T-2-*	B 45	B 40	65	M 10	M 10	74	74	230	77.5	115	115	GN 911-M10-55	GN 911-M10-63	1530
GN 286-B45-B42-T-2-*	B 45	B 42	65	M 10	M 10	74	74	230	77.5	115	115	GN 911-M10-55	GN 911-M10-63	1515
GN 286-B45-B45-T-2-*	B 45	B 45	65	M 10	M 10	74	74	230	77.5	115	115	GN 911-M10-55	GN 911-M10-63	1500
GN 286-B45-B48-T-2-*	B 45	B 48	65	M 10	M 10	74	74	230	77.5	115	115	GN 911-M10-55	GN 911-M10-63	1430
GN 286-B45-B50-T-2-*	B 45	B 50	65	M 10	M 10	74	74	230	77.5	115	115	GN 911-M10-55	GN 911-M10-63	1420
GN 286-B48-B40-T-2-*	B 48	B 40	65	M 10	M 10	74	74	230	77.5	115	115	GN 911-M10-55	GN 911-M10-63	1510
GN 286-B48-B42-T-2-*	B 48	B 42	65	M 10	M 10	74	74	230	77.5	115	115	GN 911-M10-55	GN 911-M10-63	1510
GN 286-B48-B45-T-2-*	B 48	B 45	65	M 10	M 10	74	74	230	77.5	115	115	GN 911-M10-55	GN 911-M10-63	1500
GN 286-B48-B48-T-2-*	B 48	B 48	65	M 10	M 10	74	74	230	77.5	115	115	GN 911-M10-55	GN 911-M10-63	1500
GN 286-B48-B50-T-2-*	B 48	B 50	65	M 10	M 10	74	74	230	77.5	115	115	GN 911-M10-55	GN 911-M10-63	1500
GN 286-B50-B40-T-2-*	B 50	B 40	65	M 10	M 10	74	74	230	77.5	115	115	GN 911-M10-55	GN 911-M10-63	1471
GN 286-B50-B42-T-2-*	B 50	B 42	65	M 10	M 10	74	74	230	77.5	115	115	GN 911-M10-55	GN 911-M10-63	1456
GN 286-B50-B45-T-2-*	B 50	B 45	65	M 10	M 10	74	74	230	77.5	115	115	GN 911-M10-55	GN 911-M10-63	1416
GN 286-B50-B48-T-2-*	B 50	B 48	65	M 10	M 10	74	74	230	77.5	115	115	GN 911-M10-55	GN 911-M10-63	1366
GN 286-B50-B50-T-2-*	B 50	B 50	65	M 10	M 10	74	74	230	77.5	115	115	GN 911-M10-55	GN 911-M10-63	1300

Weight BL

